



800 m³/h
High Efficiency Motor

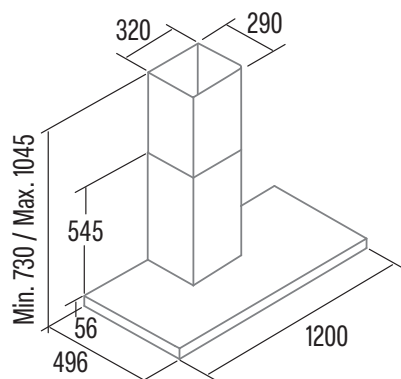
SYGMA 12010 X
Cod. **02132305** EAN **8422248073035**



- **Electronic control Panel** with automatic shut down timer and cleaning filters indicator
- 3 extraction levels, 3 + 1 **TURBO**
- Extraction power (according to UNE/EN 61591): **802m³/h** - 340m³/h
- Motor maximum airflow free outlet: **1350m³/h**
- **Sound power (Reg.(EU) n°65/2014): 50dB(A)**, maximum: 67dB(A)
- BT3 motor. Extra silent. Maximum energy consumption **280W**
- **High efficiency Strip Led lighting, adjustable intensity**
- Easy-to-install system
- Dishwasher-washable filters
- Finished in Stainless steel
- Max. Pressure: 470 Pa
- 150/125 mm outlet diameter
- **Energy Class: A**

Accessories (not included)

Active charcoal filter	Cod. 02869398 / EAN 8422248075497
Check valve	Cod. 02832004 / EAN 8422248480499
Top tube	Cod. 02861300 / EAN 8422248016742



Code	02132305
EAN	8422248073035
Model	SYGMA 12010 X
Type	Box
Product fiche according to directives EU65/2014 - EN61591, EN60704-2-13, EN50564	
AEC (Annual Energy consumption) (kWh/annum)	53,6
EEl class (Energy Efficiency Class)	A
FDE (Fluid Dynamic Efficiency)	30,7
FDE class (Fluid Dynamic Efficiency Class)	A
LE (Lighting Efficiency) (lux/W)	23,1
LE class (Lighting Efficiency Class)	B
GFE (Grease Filtering Efficiency)	91,2
GFE Class (Grease Filtering Efficiency class)	B
Air flow at minimum speed (m3/h)	340
Air flow at maximum speed (m3/h)	600
Air flow at intensive speed (TURBO) (m3/h)	802
Sound Power Level at minimum speed (dB)	50
Sound Power Level at maximum speed (dB)	65
Sound Power Level at intensive speed (TURBO) (dB)	67
Po (Power Consumption in off mode) (W)	0,48
Ps (Power Consumption in standby) (W)	0,48
Integration directive EU 66/2014	
f (Time Increase Factor)	0,9
EEl (Energy Efficiency Index)	52,1
QBEP (Flow Rate at Best Efficiency Point) (m3/h)	443,1
PBEP (Static Pressure Difference at Best Efficiency Point) (Pa)	427,1
WBEP (Electric Power Input at Best Efficiency Point) (W)	171
WL (Nominal Power Consumption of Lighting system) (W)	3
EMIDDLE (Average Illumination of Lighting system on Cooking surface) (lux)	69
External Dimensions	
Width (mm)	1200
Depth (mm)	495
Total max height(mm)	990
Total min height(mm)	745
Outlet Diameter (mm)	150/125
Characteristics	
Motor	BT3
Extraction Levels	3+1
Motor Maximum Power Consumption	280
Maximum Pressure	450
Intensive Speed (TURBO) Pressure	470
Control Type	SX4i
Automatic shut-down timer	√
Electronic Filter Saturation Indicator	√
Filter Type	Decorative stainless steel
Anti-grease Filter Number	4
Inner Shield	-
Lighting	
Light Type	SS Led
Adjustable Intensity Lighting	√
N° of Lamps	1
Installation	
Minimum height distance to a electric worktop hob (mm)	650
Minimum height distance to a gas worktop hob (mm)	650
Installation with Outlet tube to the exterior / Recirculating	BOTH
Easy Installation System	√
Electric Connection	
Total Rush Power (W)	283
Rated Voltage (V)	220-240
Network Frequency (Hz)	50
Electrical Insulation Class	CLASS II
Plug	-
Accessories	
Upper Decorative tube Extension	02861300
White Decorative Tube	-
Black Decorative Tube	-
Island Tube Enhancer	-
Check Valve	02832004
MAX PRO Metal Filter	
Metal Filter	02800930
DUAL Filter (metal + active charcoal)	02800922
Active Charcoal Filter	02859398
Noiseless Flexible Duct	02893002